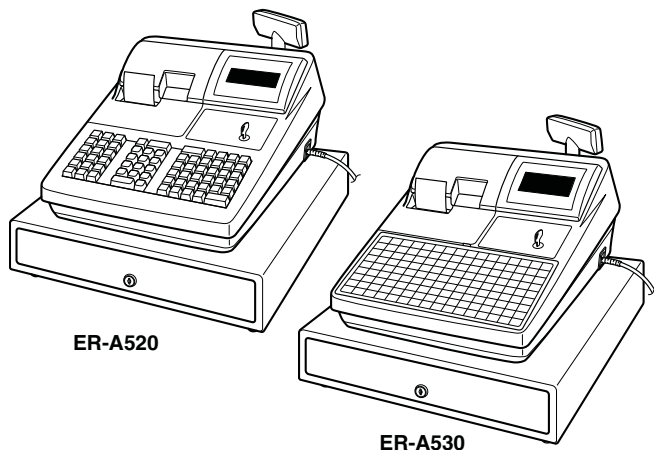


# SHARP INSTALLATION MANUAL

CODE : 00ZERA520UIME



## ELECTRONIC CASH REGISTER

# ER-A520

# MODEL ER-A530

(U, A version)

### CONTENTS

CHAPTER 1. GENERAL.....	1
CHAPTER 2. DISASSEMBLY.....	2
CHAPTER 3. REMOTE DRAWER: ER-03DW, ER-04DW.....	3
CHAPTER 4. KEY TOP KIT (ER-A520 ONLY).....	3
CHAPTER 5. POLE DISPLAY UNIT : UP-P16DP.....	5
CHAPTER 6. EXPANSION RAM BOARD (UP-S02MB).....	6
CHAPTER 7. DRAWER POSITION CHANGE.....	6

Parts marked with "△" are important for maintaining the safety of the set. Be sure to replace these parts with specified ones for maintaining the safety and performance of the set.

### **BATTERY DISPOSAL**

This POS terminal contains a Lithium Battery. The battery must be disposed of properly.  
Please contact Local Environmental Officials for disposal instructions.

### **CAUTION**

THERE IS RISK OF EXPLOSION IF THE BATTERY IS REPLACED  
BY AN INCORRECT TYPE.

DISPOSE OF USED BATTERIES ACCORDING  
TO THE "BATTERY DISPOSAL" INSTRUCTIONS.

AVOID SHORT-CIRCUITING THE BATTERY TERMINALS.  
KEEP THE BATTERY AWAY FROM FIRE.

\* WHEN DISPOSING THE BATTERY, FOLLOW THE LOCAL RULES  
AND REGULATIONS.

### **“BATTERY DISPOSAL”**

THIS PRODUCT CONTAINS LITHIUM BATTERY.  
THIS BATTERY MUST BE DISPOSED OF PROPERLY.  
REMOVE THE BATTERY FROM THE PRODUCT AND CONTACT FEDERAL OR  
STATE ENVIRONMENTAL AGENCIES FOR INFORMATION ON RECYCLING AND  
DISPOSAL OPTIONS.

### **“TRAITEMENT DES ACCUMULATEUR USAGÉS”**

CE PRODUIT CONTIENT UN ACCUMULATEUR À LITHIUM.  
CET ACCUMULATEUR USAGÉ DOIT ÊTRE TRAITÉ CORRECTEMENT.  
ENLEVEZ L' ACCUMULATEUR DU PRODUIT ET PRENEZ CONTACT AVEC VOTRE  
AGENCE ENVIRONNEMENTALE LOCALE POUR DES INFORMATIONS SUR LES  
MÉTHODES DE RECYCLAGE ET DE TRAITEMENT.

# CHAPTER 1. GENERAL

This manual describes the ER-A520/A530 disassembly procedures and the option attachment procedures. For assembly procedures, reverse the disassembly procedures. For attachment of options which do not require special descriptions, descriptions are omitted.

Note for operations

- Before operation, ground the operator's body and perform other necessary measure against static electricity.
- During operations, disconnect the AC cord from the outlet.
- After completion of operations, connect the connectors.
- After completion of operations, be sure to perform the master reset.

## ■ OPTIONS

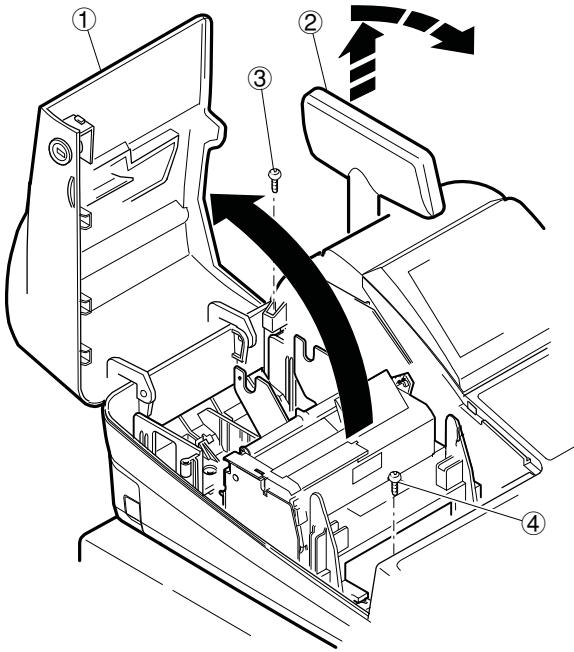
NO	CLASSIFICATION	COMPONENT NAME	MODEL NAME	REMARK
1	Drawer	Remote drawer	ER-03DW	
			ER-04DW	
2	Key kit	1 x 1 key top kit (30)	ER-11KT7	ER-A520 only
		1 x 2 key top kit (30)	ER-12KT7	
		2 x 2 key top kit (10)	ER-22KT7	
		1 x 1 dummy key kit (30)	ER-11DK7G	
		5 x 1 dummy key kit (10)	ER-51DK7G	
3	Display	Customer Pole Display	UP-P16DP	
4	Memory	RAM board	UP-S02MB	

## CHAPTER 2. DISASSEMBLY

Caution: Before installation, be sure to turn off the power.

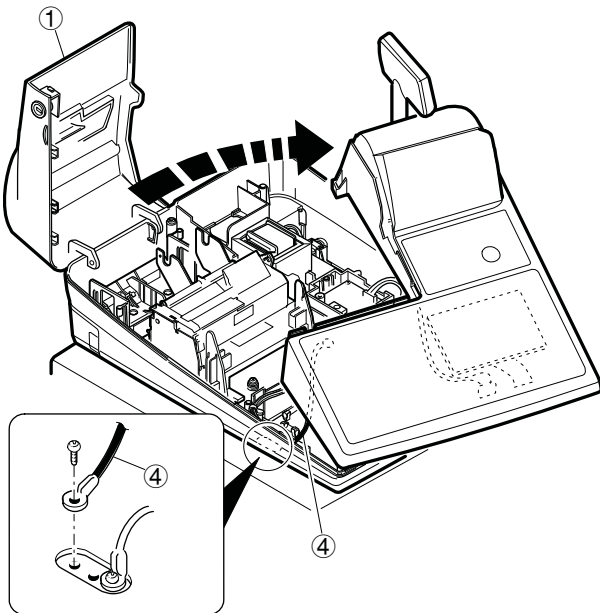
### 1. REMOVING THE TOP CABINET

- 1) Open the printer cover ①.
- 2) Lift the pop-up display unit ②.
- 3) Remove the two screws ③.

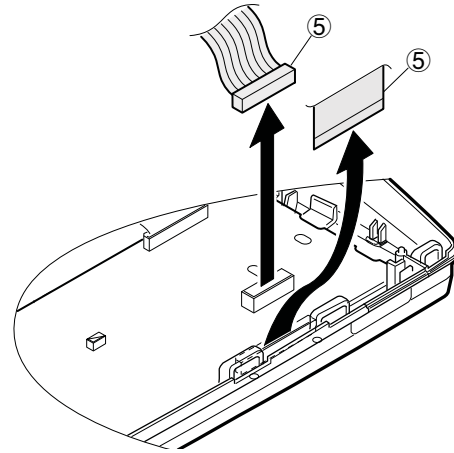


- 4) Slightly lift and slide the top cabinet, and remove the grounding wire ④.

Note: Do not pull up the top cabinet unit the grounding wire and connector cables from the top Cabinet are re-moved.

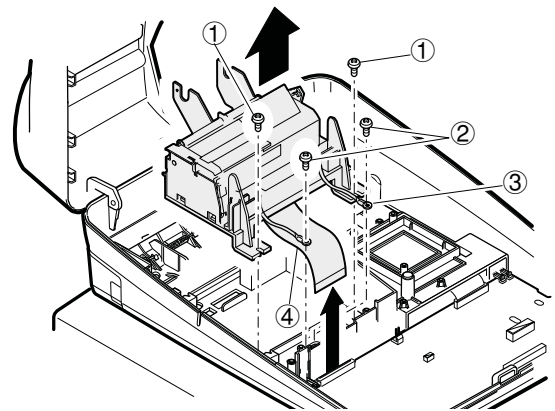


- 5) Remove the following cable ⑤ between the top cabinet and the main PWB.



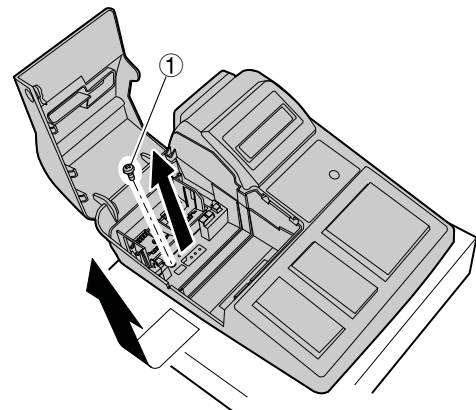
### 2. REMOVING THE PRINTER UNIT

- 1) Remove the top 1cabinet.
- 2) Remove the two screws ① fixed on the printer unit.
- 3) Remove the screw ② fixed on the earth wire ③.
- 4) Remove the printer cable ④ from the MAIN PWB (CN5).



### 3. REMOVING THE CABINET

- 1) Remove the cabinet fixing screw ①.
- 2) Slide the cabinet to the left, and remove the cabinet.



## CHAPTER 3. REMOTE DRAWER: ER-03DW, ER-04DW

### CAUTION:

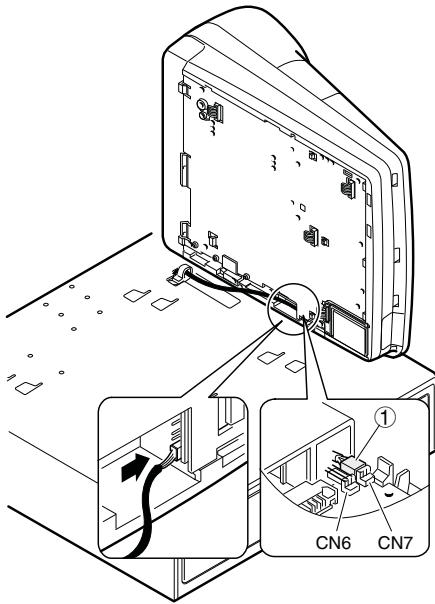
The drawer unit should be securely fitted to the supporting platform to avoid instability when the drawer is open.

### 1. OUTLINE

The ER-A520/530 allows connection of max, two remote drawers.

### 2. INSTALLATION PROCEDURE

- 1) Remove the top cabinet.
- 2) Connect the remote drawer cable ① to the drawer connector on the main PWB. (Location: CN7)



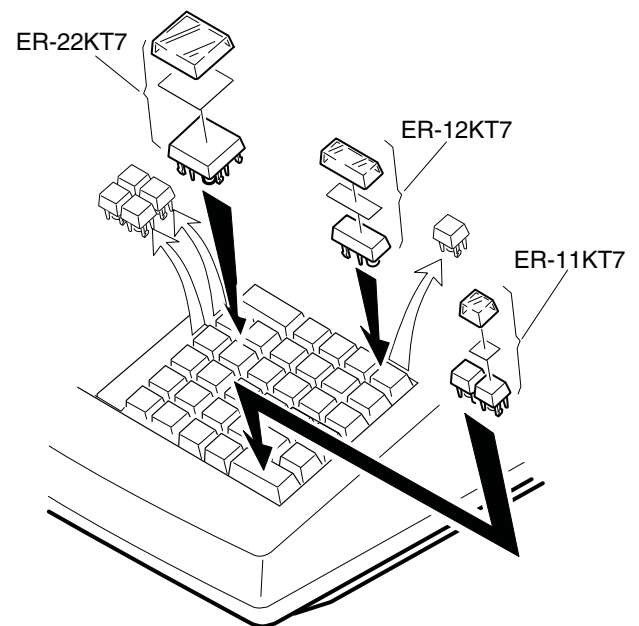
## CHAPTER 4. KEY TOP KIT (ER-A520 ONLY)

### 1. OUTLINE

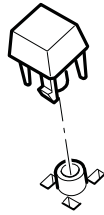
The ER-A520 employs the following key top (option) to allow additional installation of the key top and change in the key layout.

MODEL NAME	DESCRIPTION
ER-11KT7	1 × 1 Key top
ER-12KT7	1 × 2 Key top
ER-22KT7	2 × 2 Key top
ER-11DK7G	1 × 1 Dummy key
ER-51DK7G	5 × 1 Dummy key

### 2. INSTALLATION PROCEDURE

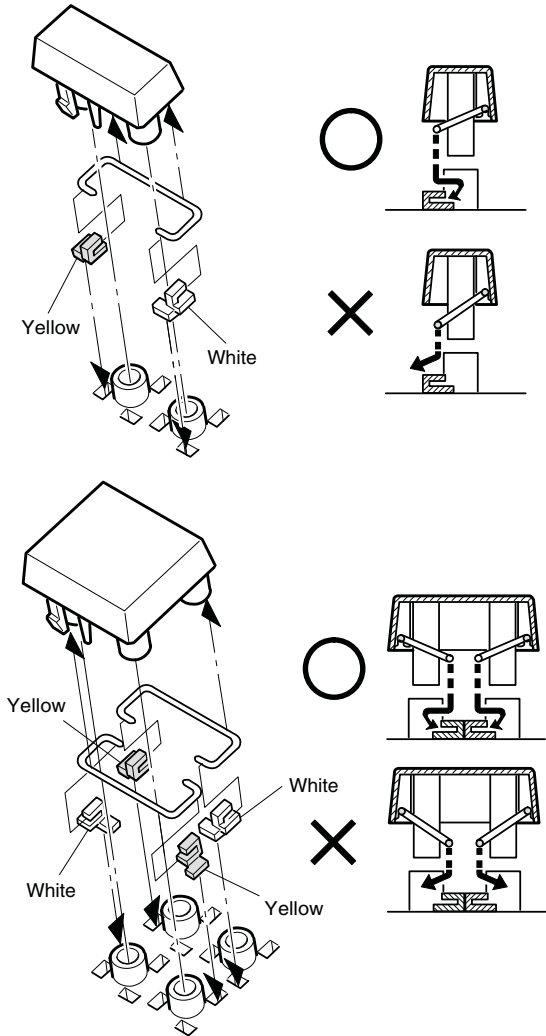


① ER-11KT7



② ER-12KT7, ER-22KT7

- 1) Attach two spacers to the keyboard frame.

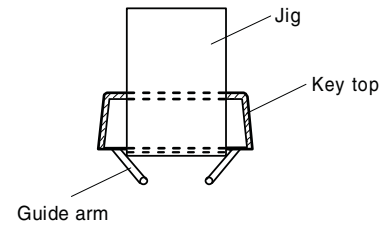


- Attach the yellow spacer to the left lower side, and the white spacer to the right lower side.

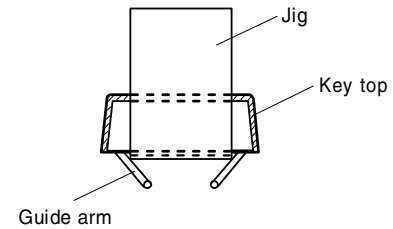
- 2) The key top of the ER-12KT7 and the ER-22KT7 includes the guide pin. Install the key top so that the guide pin is engaged with the spacer attached to the keyboard frame.

(When using 2 × 2 key top installing jig (UKOG-6725BHZZ) for installation)

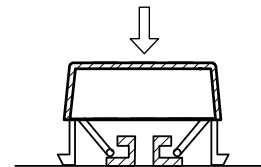
- 1) Remove the key label and the key cap from the key top.
- 2) Attach the key top so that the guide arm is under the jig.



- 3) With the jig inserted in the key top, slowly press down the key top until the guide arm is brought into contact with the guide holder A.

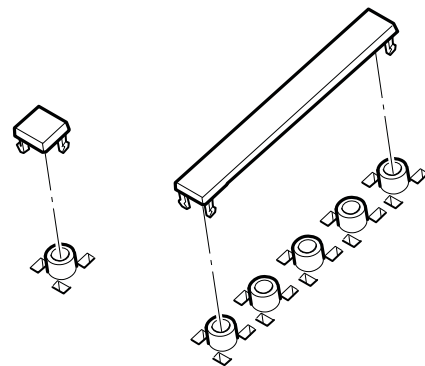


- 4) Remove the jig under the above condition 3), and press the key top.



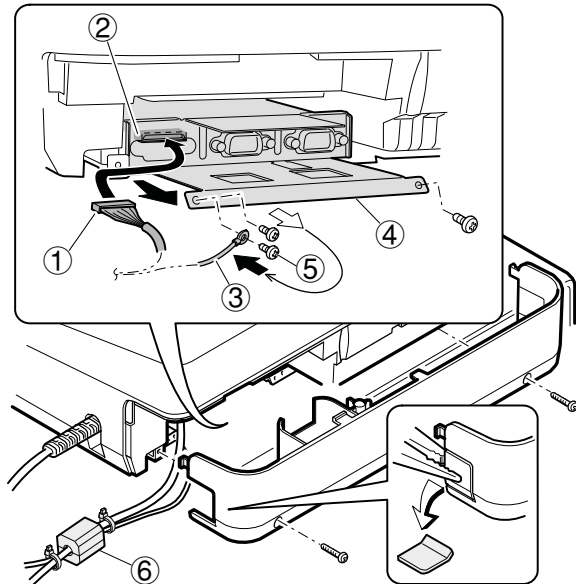
- 5) Check that the key top operates properly.
- 6) Install the key label and the key cap.

③ ER-11DK7G, ER-51DK7G

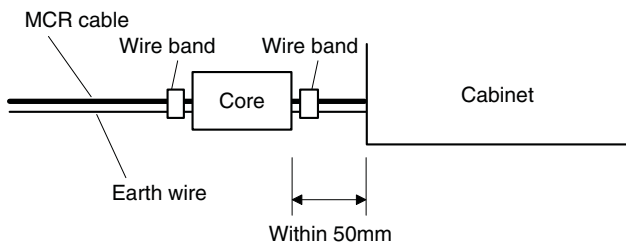


# CHAPTER 5. POLE DISPLAY UNIT : UP-P16DP

- 1) Remove the rear cover.
- 2) Connect the display cable ① to the POLE connector ②.
- 3) Fix the earth wire ③ to the main chassis ④ with a screw ⑤.
- 4) Install the core ⑥ to the display cable ① and earth wire ③.  
Secure the core ⑥ with two wire bands.



Note: Install the ferrite core in a position less than 50mm from the cabinet.



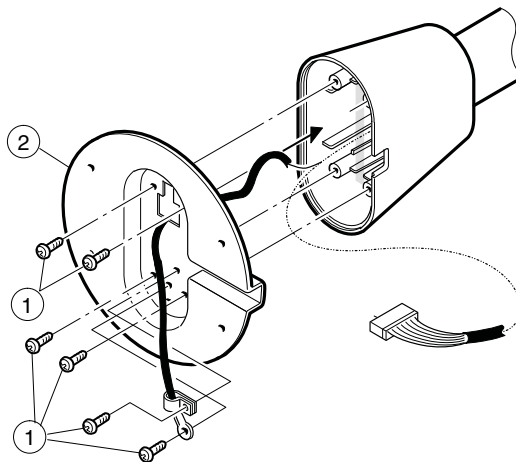
## ● How to extend display pole: UP-P16DP

The pole can be extended by installing the attached pole to the standard pole.

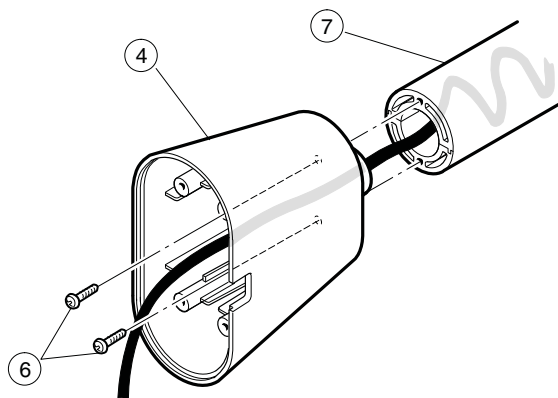
### COMPONENT LIST:

No.	NAME	USE	Q'ty
⑪	Pole cabinet	Pole extension	2
⑫	Screw (M2 x 8)	Pole connection	4
⑬	Screw (M4 x 16)	Securing the UP-P16DP to the wooden table	4
⑭	Screw (M4 x 20)	Securing the UP-P16DP to the metal table	4
⑮	Nut	Securing the UP-P16DP to the metal table	4

- 1) Remove the five screws ①.
- 2) Remove the Base angle ②.



- 3) Remove the two screws ⑥.
- 4) Remove the Base cabinet ④ from the pole cabinet ⑦.



- 5) Turn the ratchet ⑨ connected to the pole cabinet ⑦ to the removing position and pull it out from the display unit ⑧ as shown in Fig. A.
- 6) Remove the two screws ⑩.
- 7) Remove the pole cabinet ⑦ from the Ratchet ⑨.

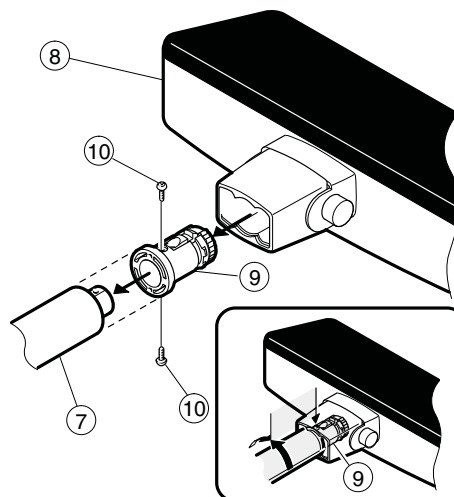
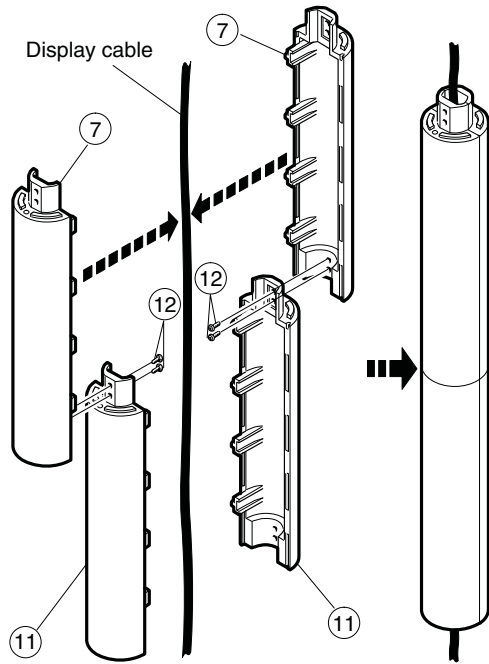


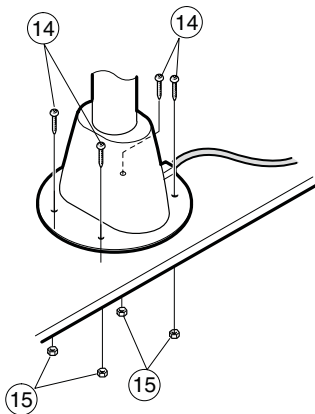
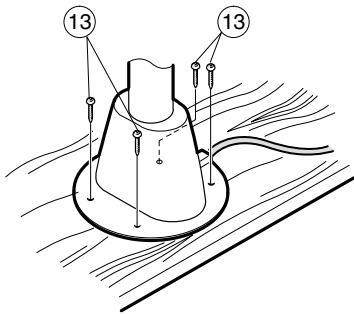
Fig. A

- 8) Install the attached pole cabinet ⑪ to the pole cabinet ⑦ to fix it with the screw ⑫.



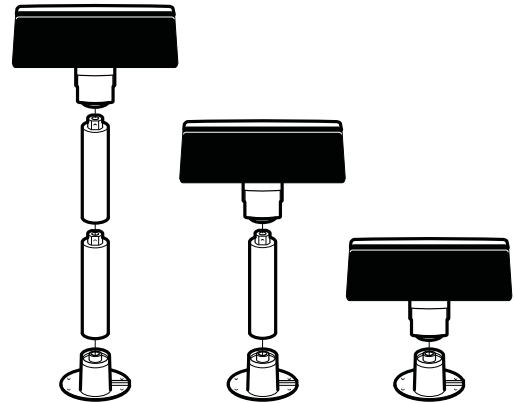
- 9) Install the pole cabinet ⑪ in the opposite order of the disassembly.  
 10) Fastening on the table:  
 Secure the Base cabinet ② using the screw.

No.	NAME	USE	Q'ty
⑬	Screw (M4 x 16)	Securing the UP-P16DP to the wooden table	4
⑭	Screw (M4 x 20)	Securing the UP-P16DP to the metal table	4
⑮	Nut	Securing the UP-P16DP to the metal table	4

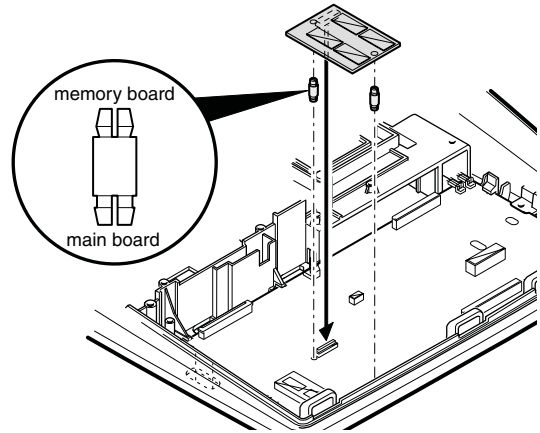


## Lowering the height of the UP-P16DP

Remove the standard Pole and attach the Base cabinet to the Ratch .

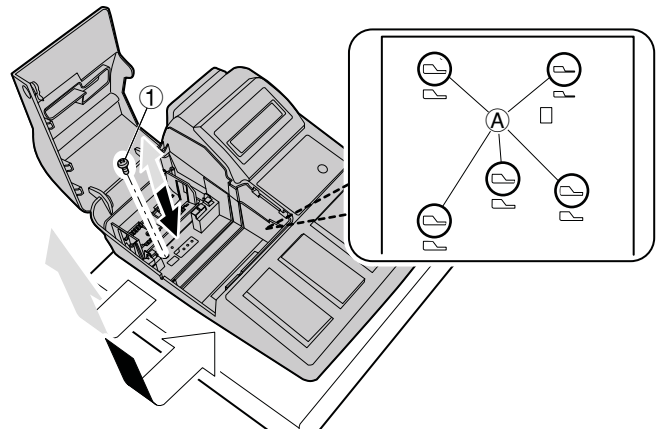


## CHAPTER 6. EXPANSION RAM BOARD (UP-S02MB)



## CHAPTER 7. DRAWER POSITION CHANGE

- 1) Remove the cabinet fixing screw ①.
- 2) Slide the cabinet to the left, and remove the cabinet.
- 3) Insert the pawl of the cabinet into the hole (A) at the back.
- 4) Slide the cabinet to the right.
- 5) Tighten the cabinet fixing screw ①.





# SHARP

**COPYRIGHT © 2004 BY SHARP CORPORATION**

All rights reserved.

Printed in Japan.

No part of this publication may be reproduced,  
stored in a retrieval system, or transmitted.

In any form or by any means,  
electronic, mechanical, photocopying, recording, or otherwise,  
without prior written permission of the publisher.

**SHARP CORPORATION**  
**Digital Document Systems Group**  
**Products Quality Assurance Department**  
**Yamatokoriyama, Nara 639-1186, Japan**

2004 November Printed in Japan ⓘ